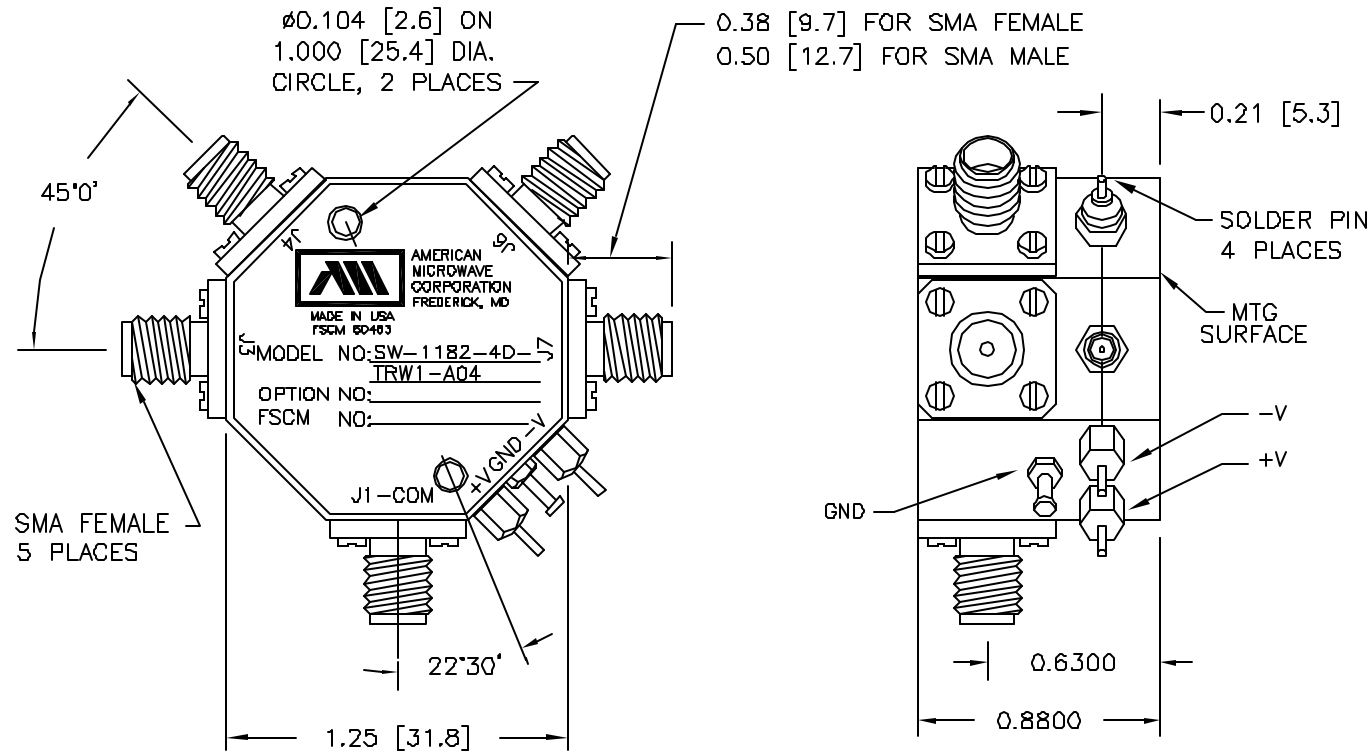


## DESCRIPTION

AMC MODEL SW-1182-4D-TRW1-A04 IS A REFLECTIVE BROAD BAND SINGLE POLE FOUR THROW SWITCH MODULE WITH INTEGRAL TTL DRIVER DESIGNED TO OPERATE OVER THE FULL 0.1 TO 18 GHz FREQUENCY RANGE.

REVISIONS				
ZONE	REV.	DESCRIPTION	DATE	APPROVED
	-	ORIGINAL RELEASE JOB# 508204	9/9/05	



## MECHANICAL OUTLINE

TRUTH TABLE				
E7	E6	E4	E3	RF PATH ON
1	1	1	0	J1-J3
1	1	0	1	J1-J4
1	0	1	1	J1-J6
0	1	1	1	J1-J7

ALL DIMENSIONS ARE IN INCHES  
TOLERANCES:  
X.XX ±0.020  
X.XXX ±0.010

## AMERICAN MICROWAVE CORPORATION

7311-G GROVE ROAD  
FREDERICK, MARYLAND 21704 USA  
TEL: 301-662-4700 FAX: 301-662-4938  
WEBSITE: [www.americanmicrowavecorp.com](http://www.americanmicrowavecorp.com)  
E-MAIL: [sales@americanmicrowavecorp.com](mailto:sales@americanmicrowavecorp.com)  
ISO 9001:2000 CERTIFIED



APPROVALS		DATE	TITLE	
DRAWN	<i>FDS</i>	9/9/05	MECHANICAL OUTLINE	
CHECKED			SW-1182-4D-TRW1-A04	
ISSUED			0.1-18 GHz, SINGLE POLE FOUR THROW SWITCH	
SCALE	N:S		SIZE	FSCM NO.
			A	60483
			DWG NO.	100-7490
			REV.	-
			SHEET	2 OF 4

## DESCRIPTION

AMC MODEL SW-1182-4D-TRW1-A04 IS A REFLECTIVE BROAD BAND SINGLE POLE FOUR THROW SWITCH MODULE WITH INTEGRAL TTL DRIVER DESIGNED TO OPERATE OVER THE FULL 0.1 TO 18 GHz FREQUENCY RANGE.

## SPECIFICATIONS

- FREQUENCY RANGE: ..... 0.1 TO 18 GHz
- INSERTION LOSS: ..... 2.6 dB MAXIMUM
- ISOLATION: ..... 65 dB MINIMUM
- VSWR: ..... 2.0:1
- RISE TIME: ..... 20 nSec MAXIMUM
- FALL TIME: ..... 20 nSec MAXIMUM
- DELAY ON: ..... 50 nSec MAXIMUM
- DELAY OFF: ..... 50 nSec MAXIMUM
- RF POWER RATING: ..... 1W CW, 75W PEAK (1uSec, PW MAXIMUM)
- CONTROL: ..... TTL, LOW POWER SCHOTTKY, (UNITY LOAD)  
(SEE TRUTH TABLE)  
TTL LOGIC "0" = INSERTION LOSS  
TTL LOGIC "1" = ISOLATION
- POWER SUPPLY: ..... +5V ±5% @ 150 mA MAXIMUM  
-15V ±5% @ 50 mA MAXIMUM
- CONNECTORS:  
RF INPUT/OUTPUT: ..... SMA FEMALE  
POWER: ..... SOLDER PIN  
CONTROL: ..... SOLDER PIN
- SIZE: ..... 1.25" (L) x 1.25" (W) x 0.88" (H)

## OPTIONS:

- A04: ..... EXTENDED FREQUENCY RANGE TO 100 MHz

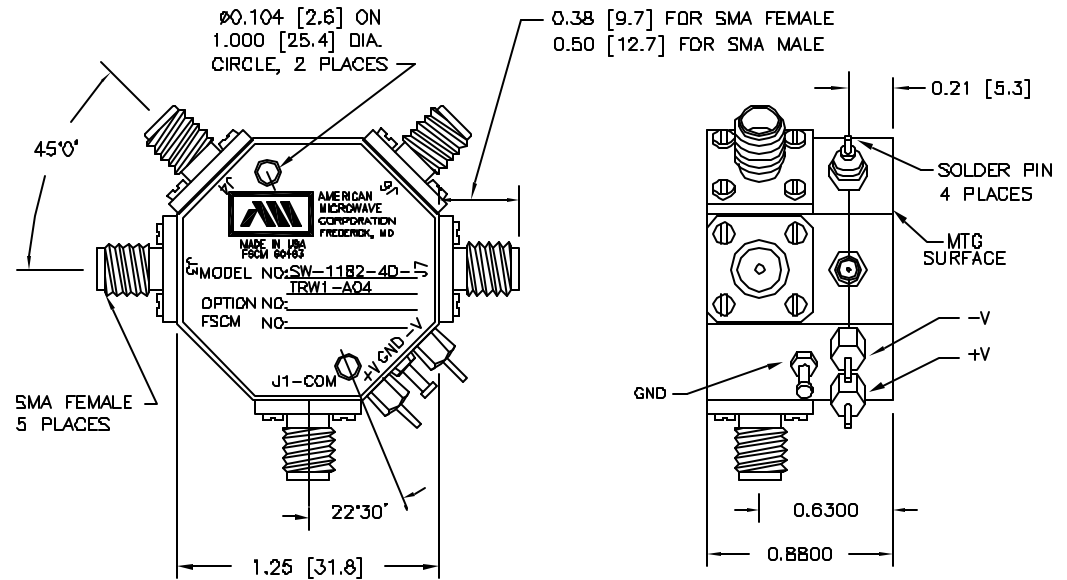
## ENVIRONMENTAL RATINGS:

- TEMPERATURE: ..... -65°C TO +110°C (OPERATING)  
-65°C TO +125°C (STORAGE)
- HUMIDITY: ..... MIL-STD-202F, METHOD 103B COND. B
- SHOCK: ..... MIL-STD-202F, METHOD 213B COND. B
- VIBRATION: ..... MIL-STD-202F, METHOD 204D COND. B
- ALTITUDE: ..... MIL-STD-202F, METHOD 105C COND. B
- TEMPERATURE CYCLE: ..... MIL-STD-202F, METHOD 107D COND. A

NOTE: SPECIFICATIONS WILL VARY OVER OPERATING TEMPERATURE  
NOTE: THE ABOVE SPECIFICATIONS ARE SUBJECT TO CHANGE OR REVISION

ALL DIMENSIONS ARE IN INCHES  
TOLERANCES:  
XXX ±0.020  
XXX ±0.010

REVISIONS				
ZONE	REV.	DESCRIPTION	DATE	APPROVED
	-	ORIGINAL RELEASE JOB# 508204	9/9/05	



E7	E6	E4	E3	RF PATH ON
1	1	1	0	J1-J3
1	1	0	1	J1-J4
1	0	1	1	J1-J6
0	1	1	1	J1-J7

## AMERICAN MICROWAVE CORPORATION

7311-G GROVE ROAD  
FREDERICK, MARYLAND 21704 USA  
TEL: 301-662-4700 FAX: 301-662-4938  
WEBSITE: [www.americanmicrowavecorp.com](http://www.americanmicrowavecorp.com)  
E-MAIL: [sales@americanmicrowavecorp.com](mailto:sales@americanmicrowavecorp.com)  
ISO 9001:2000 CERTIFIED



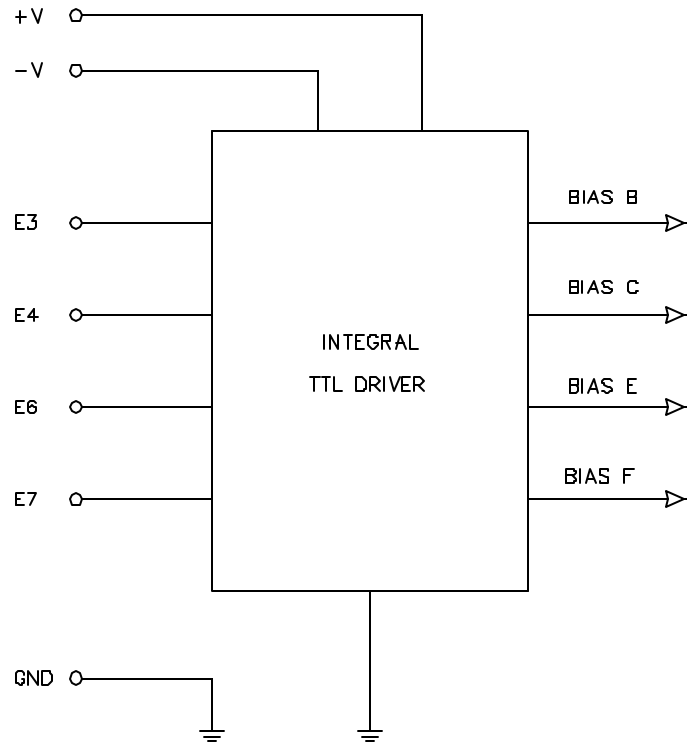
APPROVALS		DATE	TITLE		REV.
DRAWN	<i>FDJ</i>	9/9/05	PRODUCT FEATURE		
CHECKED			SW-1182-4D-TRW1-A04		
ISSUED			0.1-18 GHz, SINGLE POLE FOUR THROW SWITCH		
			SIZE	FSCM NO.	DWG NO.
			A	60483	100-7490
			SCALE	N:S	SHEET 1 OF 4

**DESCRIPTION**

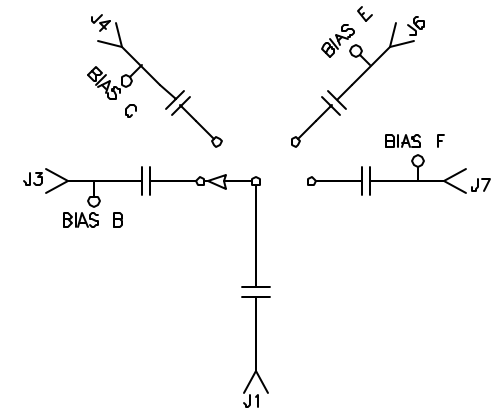
AMC MODEL SW-1182-4D-TRW1-A04 IS A REFLECTIVE BROAD BAND SINGLE POLE FOUR THROW SWITCH MODULE WITH INTEGRAL TTL DRIVER DESIGNED TO OPERATE OVER THE FULL 0.1 TO 18 GHz FREQUENCY RANGE.

REVISIONS				
ZONE	REV.	DESCRIPTION	DATE	APPROVED
	-	ORIGINAL RELEASE JOB# 508204	9/9/05	

**FUNCTIONAL BLOCK DIAGRAM**



BLOCK DIAGRAM



**AMERICAN MICROWAVE CORPORATION**

7311-G GROVE ROAD  
 FREDERICK, MARYLAND 21704 USA  
 TEL: 301-662-4700 FAX: 301-662-4938  
 WEBSITE: [www.americanmicrowavecorp.com](http://www.americanmicrowavecorp.com)  
 E-MAIL: [sales@americanmicrowavecorp.com](mailto:sales@americanmicrowavecorp.com)  
 ISO 9001:2000 CERTIFIED



APPROVALS		DATE	TITLE	
DRAWN		9/9/05	FUNCTIONAL BLOCK DIAGRAM	
CHECKED			SW-1182-4D-TRW1-A04	
ISSUED			0.1-18 GHz, SINGLE POLE FOUR THROW SWITCH	
SCALE	N:S	SIZE	PSCH NO.	DWG NO.
		A	60483	100-7490
SHEET			3 OF 4	